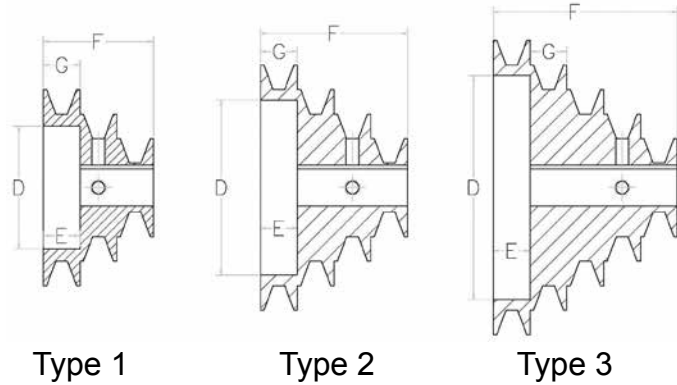


Cast Iron Sheaves - **Light Duty**
Bored-to Size
for **3L, 4L or A Belts.**
See pages 90-93

Order part number size + bore
Example: AKS42-1/2



| Part No. | Type | Outside Diameters | Stock Bores | Dimensions (Inches) | | | | Wt. |
|--------------|------|-------------------|-------------------------|---------------------|-----|-------|-----|-----|
| | | | | D | G | F | E | |
| AKS62 | 3 | 6" 5" 4" 3" 2" | 1/2-5/8-3/4-7/8 | 4 9/16 | 3/4 | 3 3/4 | 3/4 | 8.0 |
| AKS63 | 2 | 6" 5" 4" 3" | 1/2-5/8-3/4-7/8-1-1 1/8 | 4 9/16 | 3/4 | 3 | 3/4 | 7.5 |
| AKS64 | 1 | 6" 5" 4" | 1/2-5/8-3/4-7/8-1-1 1/8 | 4 9/16 | 3/4 | 2 1/4 | 3/4 | 6.5 |
| AKS52 | 2 | 5" 4" 3" 2" | 1/2-5/8-3/4-7/8 | 3 9/16 | 3/4 | 3 | 3/4 | 4.5 |
| AKS53 | 1 | 5" 4" 3" | 1/2-5/8-3/4-7/8-1-1 1/8 | 3 9/16 | 3/4 | 2 1/4 | 3/4 | 4.2 |
| AKS42 | 1 | 4" 3" 2" | 1/2-5/8-3/4-7/8 | 2 1/2 | 3/4 | 2 1/4 | 3/4 | 2.3 |

| Standard Key Dimensions | |
|-------------------------|---------------|
| Shaft Dia. | Keyseat W x D |
| 1/2 | None |
| 5/8 - 7/8 | 3/16 x 3/32 |
| 15/16 - 1 1/4 | 1/4 x 1/8 |

Step pulleys are accurately machined from gray cast iron, statically balanced, painted and individually packaged. They are furnished with standard keyway & 2 set screws. All set screws are 5/16-18 knurled. Recommended tightening torque is 110-130 inch-lbs.