

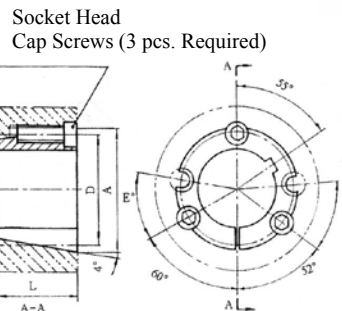
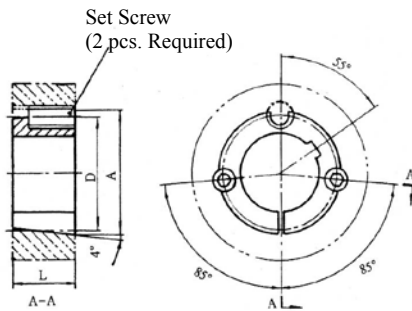
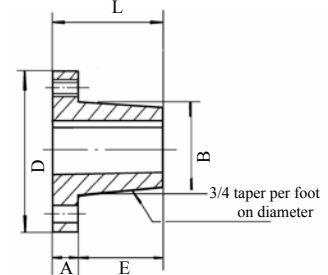
Bushings for Every Application

QD Bushings

QD Bushing - Dimensions (inches)						Φ d bolt Required	Cap Screws Grade 5 min.	
Bushing	A	B	D	E	L			
JA	5/16	1.375	2	11/16	1	1 21/32	3	10 x 1
SH	7/16	1.871	2 11/16	7/8	1 5/16	2 1/4	3	1/4 x 1 3/8
SDS	7/16	2.187	3 1/8	7/8	1 5/16	2 11/16	3	1/4 x 1 3/8
SD	7/16	2.187	3 1/8	1 3/8	1 13/16	2 11/16	3	1/4 x 1 7/8
SK	9/16	2.812	3 7/8	1 3/8	1 15/16	3 5/16	3	5/16 x 2
SF	5/8	3.125	4 5/8	1 7/16	2 1/16	3 7/8	3	3/8 x 2
E	7/8	3.834	6	1 7/8	2 3/4	5	3	1/2 x 2 3/4
F	1	4.437	6 5/8	2 3/4	3 3/4	5 5/8	3	9/16 x 3 5/8
J	1 1/8	5.148	7 1/4	3 1/2	4 5/8	6 1/4	3	5/8 x 4 1/2
M	1 1/4	6.500	9	5 1/2	6 3/4	7 7/8	4	3/4 x 6 3/4
N	1 1/2	7.000	10	6 5/8	8 1/8	8 1/2	4	7/8 x 8
P	1 3/4	8.250	11 3/4	7 5/8	9 3/8	10	4	1 x 9 1/2
W	2	10.437	15	9 3/8	11 3/8	12 3/4	4	1 1/8 x 11 1/2

Notes:

- All bushings include a set screw over the keyway except JA.
- P & W bushings standard mount only.



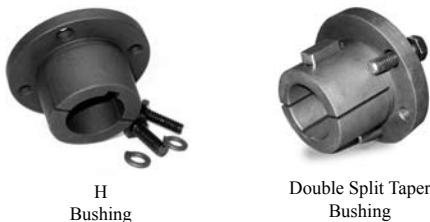
TB Bushings



Taper-Lock Bushing Dimensions				Set Screws Dia. x Length
Bushing	L	A	D	
1008	7/8	1.386	1 21/64	1/4-20 x 1/2
1108	7/8	1.511	1 29/64	1/4-20 x 1/2
1210	1	1.875	1 3/4	3/8-16 x 5/8
1215	1 1/2	1.875	1 3/4	3/8-16 x 5/8
1310	1	2.000	1 7/8	3/8-16 x 5/8
1610	1	2.250	2 1/8	3/8-16 x 5/8
1615	1 1/2	2.250	2 1/8	3/8-16 x 5/8
2012	1 1/4	2.750	2 5/8	7/16-14 x 7/8
2517	1 3/4	3.375	3 1/4	1/2-13 x 1
2525	2 1/2	3.375	3 1/4	1/2-13 x 1
3020	2	4.250	4	5/8-11 x 1 1/4
3030	3	4.250	4	5/8-11 x 1 1/4

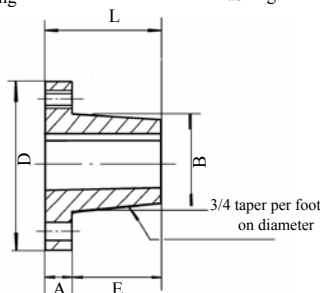
Taper-Lock Bushing Dimensions				Set Screws Cap Screws Dia. x Length	E
Bushing	L	A	D		
3535	3 1/2	5	4.83	1/2-12 x 1 1/2	39°
4040	4	5 3/4	5.54	5/8-11 x 1 3/4	40°
4545	4 1/2	6 3/8	6.13	3/4-10 x 2	40°
5050	5	7	6.72	7/8-9 x 2 1/4	37°

DST BUSHINGS



H Bushing

Double Split Taper Bushing



Double Split Taper Bushing - Dimensions (inches)						Φ d bolt Required	Cap Screws Grade 5 min.	
Bushing	A	B	D	E	L			
G	1/4	1 11/64	2	3/4	1	1 9/16	2	1/4 x 5/8
H*	11/32	1 5/8	2 1/2	1	1 11/32	2	2	1/4 x 1
H-STL**	1/4	1 5/8	2 1/2	1	1 1/4	2	2	1/4 x 3/4
P1	13/32	1 15/16	3	1 17/32	1 15/15	2 7/16	3	5/16 x 1
P2	13/32	1 15/16	3	2 17/32	2 15/16	2 7/16	3	5/16 x 1
Q1	17/32	2 7/8	4 1/8	1 31/32	2 1/2	3 3/8	3	3/8 x 1 1/4
Q2	17/32	2 7/8	4 1/8	2 31/32	3 1/2	3 3/8	3	3/8 x 1 1/4
R1	5/8	4	5 3/8	2 1/4	2 7/8	4 5/8	3	3/8 x 1 3/4
R2	5/8	4	5 3/8	4 1/4	4 7/8	4 5/8	3	3/8 x 1 3/4

*Standard H bushings are made out of powdered metal and include a set screw over the keyway.

**STL H bushings are optional and are made out of steel. These do not have a set screw.

BUSHINGS for every application.

QD Bushings



TB Bushings



DST Bushings



MasterDrive® Bushings

- All bushings *interchange to industry standards.*
- Most QD & DST Bushings machined from *Ductile Iron!*
- Bolt and thread specifications *meet or exceed* current industry standards.
- All of our bushings are *stocked* in inch & metric sizes.
- **Machining and Processes in Wisconsin**
 - Haas CNC (up to 12" dia.)
 - Lathe (up to 24" dia.)
 - Milling
 - Broaching (up to 1-1/2" KW)
 - Drilling/Tapping
 - Balancing
 - Special Coatings
 - Assembly
 - Custom Marking

Distributed by:

WE PROUDLY STAND BEHIND ALL OF
OUR PRODUCTS.

MASTERDRIVE®
POWER TRANSMISSION PRODUCTS

Toll Free Phone (888) 922-8767

Phone (920) 563-5838 Fax (920) 563-5650

e-mail: masterdrive@masterdrives.com web site: masterdrives.com